

4JUICES



Ref: 563041 (4JUICES)

Post-mix juice dispenser, backlit, with 4 flavors, refrigerant gas R134

General Features

4JUICES is a professional equipment ideal to dispense chilled beverages prepared starting from concentrated juice.

4JUICES dispenses up to 4 different drinks and it is equipped with 4 containers each with a capacity of 4 litres of concentrated juice. It is possible upon request to have a prearrangement for bag-in-box connection and the auto-supply water kit.

The machine guarantees high performance levels. The cooling system with pressure-sealed insulated tank assures that the juice temperature doesn't change even in case of continuous dispenses. The water level in the tank is automatically restored after every dispense.

The juice/water dilution ratio is adjustable.

4JUICES has 2 dispensing modes: based on pre-set doses (glass-full or jug-full, maximum height 25 cm) or continuous service with push control.

The unit is provided with 3/4 inch connection pipe for water inlet.

4JUICES

Specifications

- 2 dispensing modes: based on pre-set doses or continuous service with push control.
- Ideal to dispense chilled beverages prepared from concentrated juice.
- It dispenses up to 4 different drinks.
- It is possible to use glasses or jugs of 25,5 cm maximum height.
- The juice/water dilution ratio is adjustable.

Construction

- The water level in the tank is automatically restored after every dispense.
- It is equipped with 4x4- litres containers of concentrated juice.
- It is possible upon request to have a prearrangement for bag-in-box connection and the auto-supply water kit.
- The backlit frontal panel is designed for customized graphics.
- The unit is provided with 3/4 inch connection pipe for water inlet.

4JUICES

Electric

Supply voltage:	220-230 V / 1 ph / 50/60 Hz
Electrical power max.:	0.3 kW
Current consumption:	1.7 Amps
Plug type:	NEMA 5-15

Key Information:

Dimensions, Width:	475 mm
Dimensions, Depth:	600 mm
Dimensions, Height:	825 mm
Net weight:	50 kg
Cooling system:	AIR
Flavors:	4
Container capacity per flavor:	4 lt

Refrigeration Data

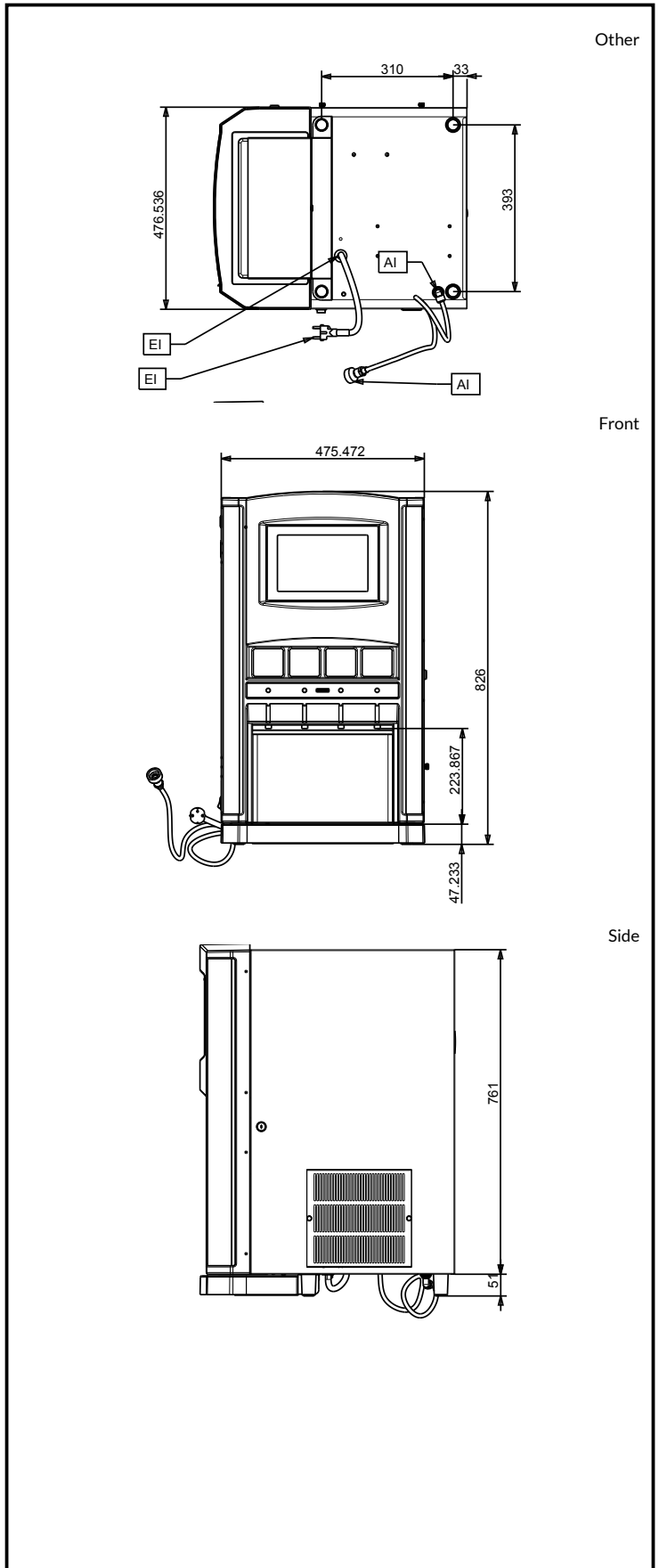
Refrigerant gas:	R134a
------------------	-------

Certifications



The company reserves the right to make modifications to the products without prior notice. All information correct at time of printing.

2024.12.10



CRATHCO

www.crathco.drink-systems.com
infocrathco@electroluxprofessional.com